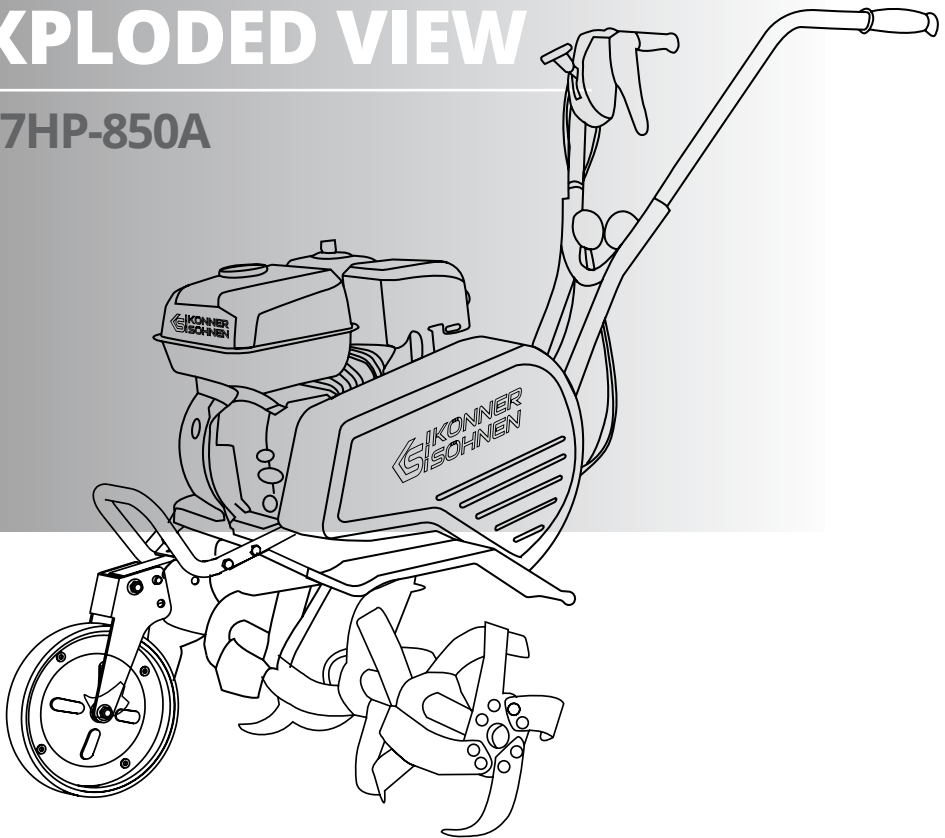


## GASOLINE TILLER EXPLODED VIEW

KS 7HP-850A



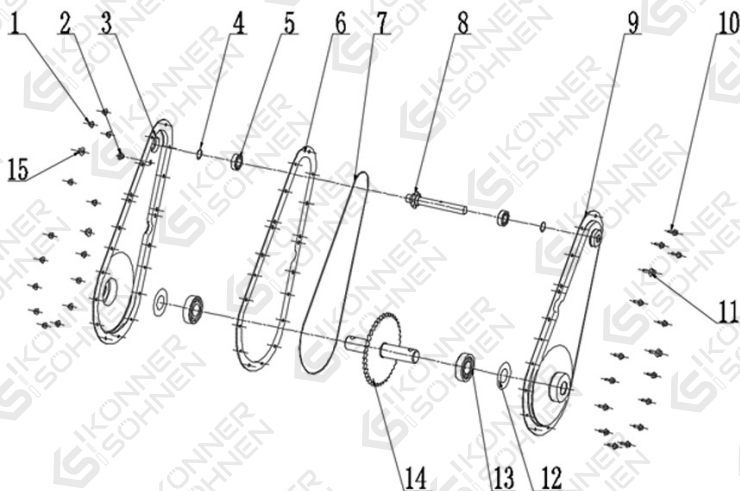
TRADITIONELLE DEUTSCHE QUALITÄT

# CONTENTS

1. Gearbox assembly parts .....	2
2. Engine power part.....	5
3. Transmission part .....	6
4. Support frame part .....	7
5. Armrest seat part .....	8
6. Armrest part .....	9
7. Fender part.....	10
8. Connecting frame parts.....	11
9. Blades part... ..	12

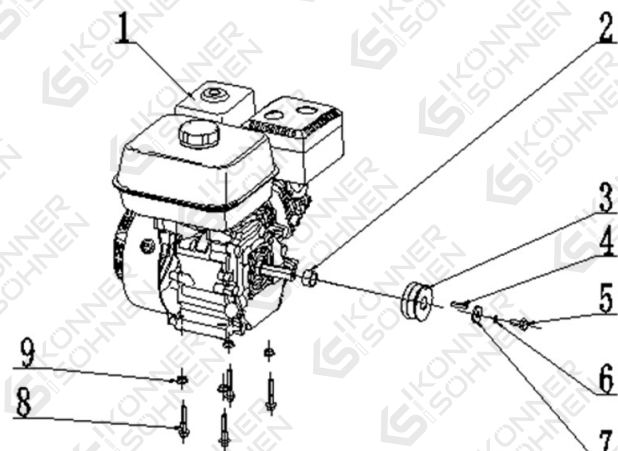
**!** This material is for informational purposes only and is not an instruction. The connection of the equipment in each case must be performed by a certified electrician, in accordance with local laws and regulations. Before connecting, we urge you to read the recommendations in the manual for the generator. The manufacturer is not responsible for improper connection of equipment, and is not responsible for possible material and physical damage that may occur as a result of improper installation, connection or operation of equipment.

# 1. GEARBOX ASSEMBLY PARTS



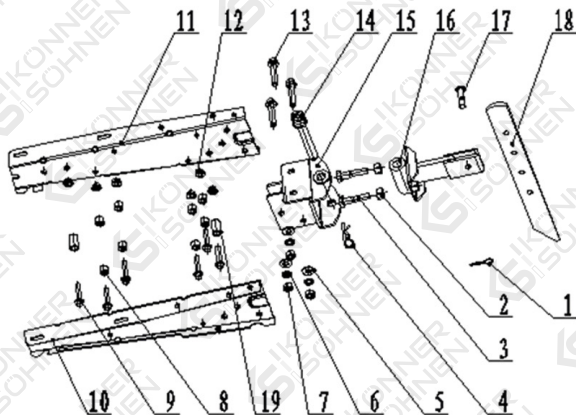
No	REF. No	DESCRIPTION	QTY
1	KS 7HP-850A.1.1	Nut M6	14
2	KS 7HP-850A.1.2	Oil plug	1
3	KS 7HP-850A.1.3	Transmission case right	1
4	KS 7HP-850A.1.4	Adjusting shim	2
5	KS 7HP-850A.1.5	Bearing $\phi$ 17* $\phi$ 35*10	2
6	KS 7HP-850A.1.6	Transmission box box paper pad	1
7	KS 7HP-850A.1.7	Chain	1
8	KS 7HP-850A.1.8	Drive sprocket	1
9	KS 7HP-850A.1.9	Left transmission case	1
10	KS 7HP-850A.1.10	Bolt M6*1*14	14
11	KS 7HP-850A.1.11	Bolt M8*12	2
12	KS 7HP-850A.1.12	Dustproof felt $\phi$ 30* $\phi$ 60*1.5	2
13	KS 7HP-850A.1.13	Bearing $\phi$ 30* $\phi$ 62*16	2
14	KS 7HP-850A.1.14	Driven sprocket	1
15	KS 7HP-850A.1.15	Nut M8	2

## 2. ENGINE PARTS



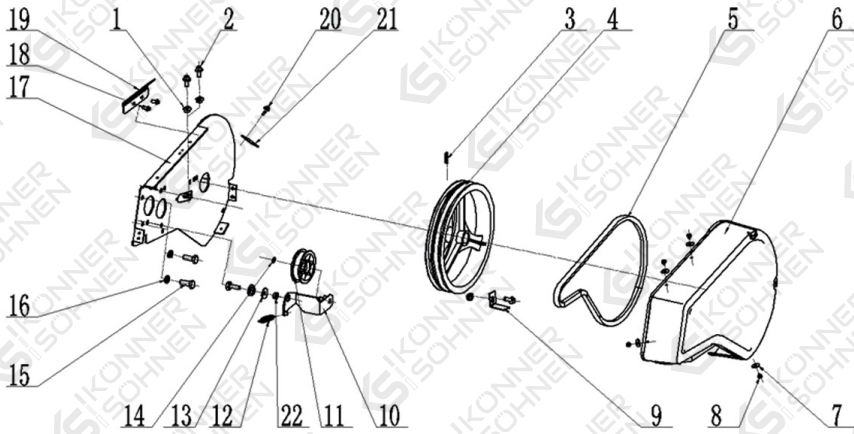
No	REF. No	DESCRIPTION	QTY
1	KS 7HP-850A.2.1	Gasoline engine	1
2	KS 7HP-850A.2.2	Drive pulley bushing	1
3	KS 7HP-850A.2.3	Driving pulley	1
4	KS 7HP-850A.2.4	Flat key	1
5	KS 7HP-850A.2.5	The imperial bolts 16-24*20	1
6	KS 7HP-850A.2.6	Spring washer	1
7	KS 7HP-850A.2.7	Flat washer 8*2	1
8	KS 7HP-850A.2.8	Bolt M8*1.25*40	4
9	KS 7HP-850A.2.9	Nut M8*1.25	4

### 3. ENGINE SUPPORT PARTS



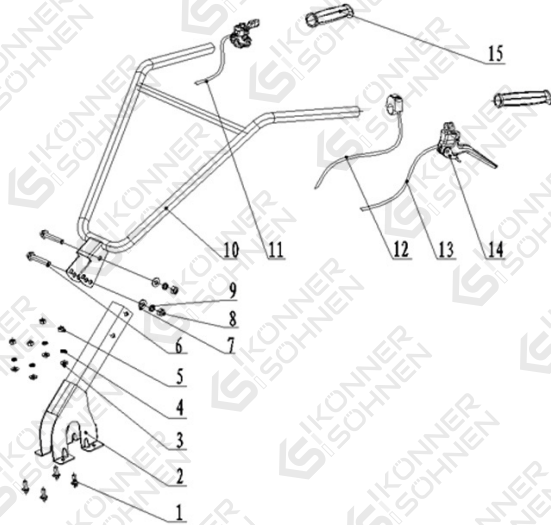
No	REF. No	DESCRIPTION	QTY
1	KS 7HP-850A.3.1	R pin 2 * 9 * 38	1
2	KS 7HP-850A.3.2	Hexagon nut M12	2
3	KS 7HP-850A.3.3	Hexagon bolt M12*50	3
4	KS 7HP-850A.3.4	R pin 3*20*60	1
5	KS 7HP-850A.3.5	Flat pad 10	3
6	KS 7HP-850A.3.6	Spring washers 10	3
7	KS 7HP-850A.3.7	Hexagon nut M10	3
8	KS 7HP-850A.3.8	Power support bushing	8
9	KS 7HP-850A.3.9	Hexagonal flange bolt M8*40	6
10	KS 7HP-850A.3.10	Left power support	1
11	KS 7HP-850A.3.11	Right power support	1
12	KS 7HP-850A.3.12	Hexagon flange nut M8	6
13	KS 7HP-850A.3.13	Hexagonal flange bolt M10*50	3
14	KS 7HP-850A.3.14	Big revoked	1
15	KS 7HP-850A.3.15	The trailer body	1
16	KS 7HP-850A.3.16	Connector	1
17	KS 7HP-850A.3.17	Type B pin shaft 10*28	1
18	KS 7HP-850A.3.18	Resistance to plow knife	1
19	KS 7HP-850A.3.19	Power support bushing	2

## 4. ENGINE PARTS



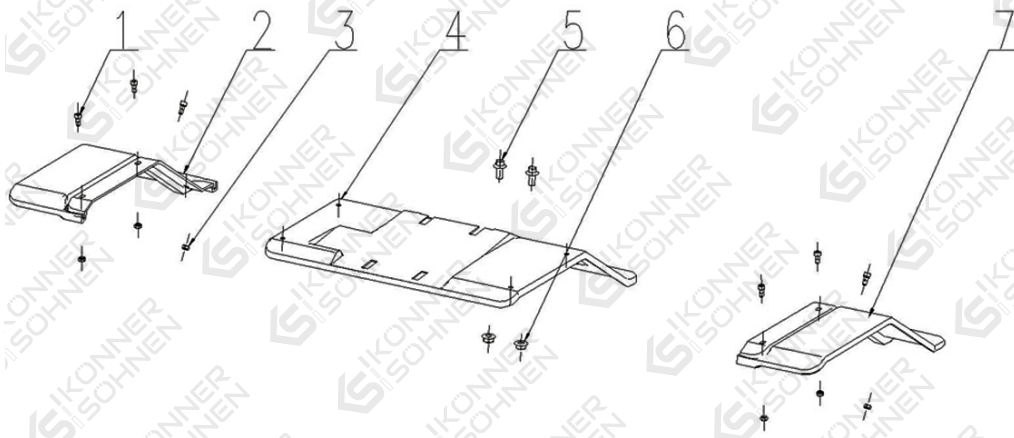
No	REF. No	DESCRIPTION	QTY
1	KS 7HP-850A.4.1	Nut M8*1.25	3
2	KS 7HP-850A.4.2	Bolt M8*1.25*16	3
3	KS 7HP-850A.4.3	round pin $\Phi 6 \times 30$	1
4	KS 7HP-850A.4.4	follower pulley $\phi 254 \text{mm}$	1
5	KS 7HP-850A.4.5	Belt 13*1050Li	1
6	KS 7HP-850A.4.6	Belt cover	1
7	KS 7HP-850A.4.7	BOLT M5*0.8*12	4
8	KS 7HP-850A.4.8	Flat washer/ $\phi 5 * 1.4$	4
9	KS 7HP-850A.4.9	Ensioning block B	1
10	KS 7HP-850A.4.10	Tensioning wheel bracket	1
11	KS 7HP-850A.4.11	Tensioning wheel Assy	1
12	KS 7HP-850A.4.12	Return spring of tensioning wheel	2
13	KS 7HP-850A.4.13	flat washer $\phi 8 * \phi 24 * 2$	2
14	KS 7HP-850A.4.14	Shaft ring 10	1
15	KS 7HP-850A.4.15	Bolt M8*1.25*25	2
16	KS 7HP-850A.4.16	Belt guard base plate bushing/ $\phi 8.2 * \phi 16 * 6$	2
17	KS 7HP-850A.4.17	Belt cover bottom plate	1
18	KS 7HP-850A.4.18	Bolt M6*1*12	2
19	KS 7HP-850A.4.19	Belt cover bottom plate	1
20	KS 7HP-850A.4.20	Belt guard block	1
21	KS 7HP-850A.4.21	Bolt M6*1*12	1
22	KS 7HP-850A.4.22	Nut M8*1.25	1

# 5. HANDLE BAR PARTS



No	REF. No	QTY
1	KS 7HP-850A.5.1	4
2	KS 7HP-850A.5.2	1
3	KS 7HP-850A.5.3	4
4	KS 7HP-850A.5.4	4
5	KS 7HP-850A.5.5	4
6	KS 7HP-850A.5.6	2
7	KS 7HP-850A.5.7	2
8	KS 7HP-850A.5.8	2
9	KS 7HP-850A.5.9	2
10	KS 7HP-850A.5.10	1
11	KS 7HP-850A.5.11	1
12	KS 7HP-850A.5.12	1
13	KS 7HP-850A.5.13	1
14	KS 7HP-850A.5.14	1
15	KS 7HP-850A.5.15	2

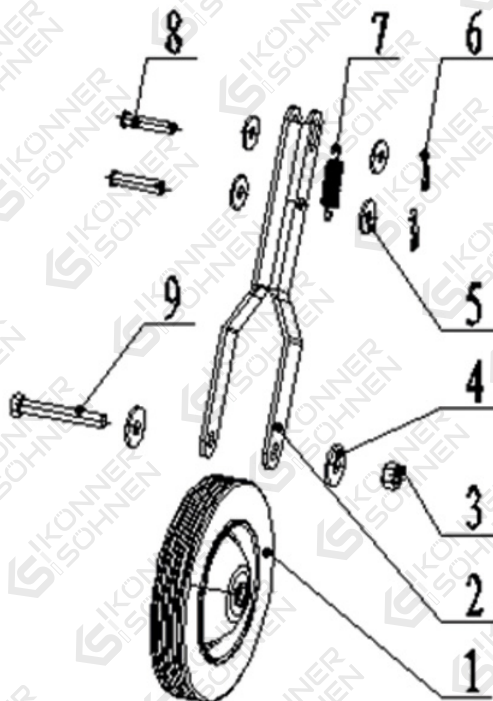
## 6. FENDER PARTS



No	REF. No	DESCRIPTION	QTY
1	KS 7HP-850A.6.1	Bolt M5*0.8*12	4
2	KS 7HP-850A.6.2	Right fender	1
3	KS 7HP-850A.6.3	Nut M5*0.8	6
4	KS 7HP-850A.6.4	The fender	1
5	KS 7HP-850A.6.5	Bolt /M8*1.25*16	2
6	KS 7HP-850A.6.6	Nut M8*1.25	2
7	KS 7HP-850A.6.7	Left fender	1

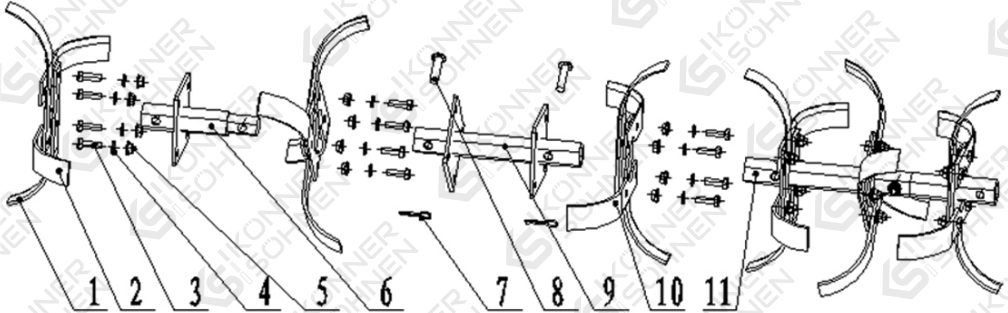


## 7. FRONT WHEEL PARTS



No	REF. No	DESCRIPTION	QTY
1	KS 7HP-850A.7.1	Walk wheel	1
2	KS 7HP-850A.7.2	Travelling wheel bracket	1
3	KS 7HP-850A.7.3	Self-locking nut M12	1
4	KS 7HP-850A.7.4	Pacific mat M12	2
5	KS 7HP-850A.7.5	Pacific mat M10	4
6	KS 7HP-850A.7.6	R PIN	2
7	KS 7HP-850A.7.7	Walking wheel supports spring	1
8	KS 7HP-850A.7.8	B pin shaft 10*45	2
9	KS 7HP-850A.7.9	Hexagon bolt M12*80	1

## 8. BLADE SETS



No	REF. No	DESCRIPTION	QTY
1	KS 7HP-850A.8.1	The right blade	12
2	KS 7HP-850A.8.2	The Left blade	12
3	KS 7HP-850A.8.3	bolt M8*1.25*25	24
4	KS 7HP-850A.8.4	spring washer	24
5	KS 7HP-850A.8.5	NUT M8*1.25	24
6	KS 7HP-850A.8.6	Deputy cylinder	2
7	KS 7HP-850A.8.7	R pin $\Phi 2*9*38$	4
8	KS 7HP-850A.8.8	PIN 8*40	4
9	KS 7HP-850A.8.9	The butcher cylinder	2
10	KS 7HP-850A.8.10	Right blade sets assembly	1
11	KS 7HP-850A.8.11	Left blade sets assembly	1

## **CONTACTS**

**[konner-sohnen.com](http://konner-sohnen.com)**

**Germany**

**[info@dimaxgroup.de](mailto:info@dimaxgroup.de)**

**Poland**

**[info.pl@dimaxgroup.de](mailto:info.pl@dimaxgroup.de)**

**Ukraine**

**[sales@ks-power.com.ua](mailto:sales@ks-power.com.ua)**